

XX Turniej Judo 11.11.2015 AON Warszawa FU14-33

Competitors: 2

Competitors

| # | Name | Grade | Club | 1 | 2 | 1 | 2 | 1 | 2 | Wins | Pts | Pos |
|---|-------------------------|-------|-------------|----|---|----|---|---|---|------|-----|-----|
| 1 | JULIA WALENDZIK (30,00) | ? | LEMUR | | | | | | | 0 | 0 | 2 |
| 2 | BARBARA GLEN (31,60) | ? | UKJ BUSHIDO | 10 | | 10 | | | | 2 | 20 | 1 |

Matches

| Match | White | | | Blue | Result | Time |
|-------|-----------------|---|---|--------------|--------|------|
| 1 | JULIA WALENDZIK | 1 | 2 | BARBARA GLEN | 0 - 10 | 0:14 |
| 2 | JULIA WALENDZIK | 1 | 2 | BARBARA GLEN | 0 - 10 | 0:24 |
| 3 | JULIA WALENDZIK | 1 | 2 | BARBARA GLEN | | |

Results

| Pos | Name |
|-----|---------------------------|
| 1 | BARBARA GLEN, UKJ BUSHIDO |
| 2 | JULIA WALENDZIK, LEMUR |

XX Turniej Judo 11.11.2015 AON Warszawa FU14-36

Competitors: 4

Competitors

| # | Name | Grade | Club | 1 | 2 | 3 | 4 | Wins | Pts | Pos |
|---|-------------------------|-------|--------------|----|---|----|----|------|-----|-----|
| 1 | JAGODA ZAWARTKO (34,20) | ? | LEMUR | | | | 10 | 1 | 10 | 3 |
| 2 | ZUZIA WOŹNIAK (36,00) | ? | YUKO JÓZEFÓW | 10 | | 10 | 10 | 3 | 30 | 1 |
| 3 | WERONIKA DĘBSKA (36,00) | ? | JUDO FC | 10 | | | 7 | 2 | 17 | 2 |
| 4 | KLARA GESSEL (34,20) | ? | LTS CSP | | | | | 0 | 0 | 4 |

Matches

| Match | White | | | Blue | Result | Time |
|-------|-----------------|---|---|-----------------|--------|------|
| 1 | JAGODA ZAWARTKO | 1 | 2 | ZUZIA WOŹNIAK | 0 - 10 | 0:12 |
| 2 | WERONIKA DĘBSKA | 3 | 4 | KLARA GESSEL | 7 - 0 | 3:00 |
| 3 | JAGODA ZAWARTKO | 1 | 3 | WERONIKA DĘBSKA | 0 - 10 | 0:18 |
| 4 | ZUZIA WOŹNIAK | 2 | 4 | KLARA GESSEL | 10 - 0 | 1:19 |
| 5 | JAGODA ZAWARTKO | 1 | 4 | KLARA GESSEL | 10 - 0 | 0:23 |
| 6 | ZUZIA WOŹNIAK | 2 | 3 | WERONIKA DĘBSKA | 10 - 0 | 0:22 |

Results

| Pos | Name |
|-----|-----------------------------|
| 1 | ZUZIA WOŹNIAK, YUKO JÓZEFÓW |
| 2 | WERONIKA DĘBSKA, JUDO FC |
| 3 | JAGODA ZAWARTKO, LEMUR |
| 4 | KLARA GESSEL, LTS CSP |

XX Turniej Judo 11.11.2015 AON Warszawa FU14-40

Competitors: 2

Competitors

| # | Name | Grade | Club | 1 | 2 | 1 | 2 | 1 | 2 | Wins | Pts | Pos |
|---|--------------------------|-------|---------|---|----|---|----|---|---|------|-----|-----|
| 1 | ALICJA WILK (39,70) | ? | JUDO FC | | 10 | | 10 | | | 2 | 20 | 1 |
| 2 | ALEKSANDRA SIWEK (40,80) | ? | LEMUR | | | | | | | 0 | 0 | 2 |

Matches

| Match | White | | | Blue | Result | Time |
|-------|-------------|---|---|------------------|--------|------|
| 1 | ALICJA WILK | 1 | 2 | ALEKSANDRA SIWEK | 10 - 0 | 2:50 |
| 2 | ALICJA WILK | 1 | 2 | ALEKSANDRA SIWEK | 10 - 0 | 0:47 |
| 3 | ALICJA WILK | 1 | 2 | ALEKSANDRA SIWEK | | |

Results

| Pos | Name |
|-----|-------------------------|
| 1 | ALICJA WILK, JUDO FC |
| 2 | ALEKSANDRA SIWEK, LEMUR |

XX Turniej Judo 11.11.2015 AON Warszawa FU14-44

Competitors: 5

Competitors

| # | Name | Grade | Club | 1 | 2 | 3 | 4 | 5 | Wins | Pts | Pos |
|---|-----------------------------|-------|-------------------|----|----|----|----|---|------|-----|-----|
| 1 | ALEKSANDRA CZWAKIEL (43,30) | | LEMUR | | 10 | 10 | 10 | | 3 | 30 | 2 |
| 2 | KARMELA CZERWIŃSKA (41,40) | | UKJ 225 | | | | 10 | | 1 | 10 | 4 |
| 3 | DOMINIKA ABRAMOWICZ (42,00) | | GWARDIA BIAŁYSTOK | | 5 | | 10 | | 2 | 15 | 3 |
| 4 | HELENA LIMOWSKA (43,90) | ? | YUKO JÓZEFÓW | | | | | | 0 | 0 | 5 |
| 5 | ZUZIA BANASZEK (43,90) | ? | JUDO FC | 10 | 10 | 10 | 10 | | 4 | 40 | 1 |

Matches

| Match | White | | | Blue | Result | Time |
|-------|---------------------|---|---|---------------------|--------|------|
| 1 | HELENA LIMOWSKA | 4 | 5 | ZUZIA BANASZEK | 0 - 10 | 0:06 |
| 2 | ALEKSANDRA CZWAKIEL | 1 | 2 | KARMELA CZERWIŃSKA | 10 - 0 | 1:08 |
| 3 | DOMINIKA ABRAMOWICZ | 3 | 4 | HELENA LIMOWSKA | 10 - 0 | 1:23 |
| 4 | ALEKSANDRA CZWAKIEL | 1 | 5 | ZUZIA BANASZEK | 0 - 10 | 0:30 |
| 5 | KARMELA CZERWIŃSKA | 2 | 3 | DOMINIKA ABRAMOWICZ | 0 - 5 | 3:00 |
| 6 | ALEKSANDRA CZWAKIEL | 1 | 4 | HELENA LIMOWSKA | 10 - 0 | 0:30 |
| 7 | DOMINIKA ABRAMOWICZ | 3 | 5 | ZUZIA BANASZEK | 0 - 10 | 0:29 |
| 8 | KARMELA CZERWIŃSKA | 2 | 4 | HELENA LIMOWSKA | 10 - 0 | 1:00 |
| 9 | ALEKSANDRA CZWAKIEL | 1 | 3 | DOMINIKA ABRAMOWICZ | 10 - 0 | 1:04 |
| 10 | KARMELA CZERWIŃSKA | 2 | 5 | ZUZIA BANASZEK | 0 - 10 | 0:35 |

Results

| Pos | Name |
|-----|--|
| 1 | ZUZIA BANASZEK, JUDO FC |
| 2 | ALEKSANDRA CZWAKIEL, LEMUR |
| 3 | DOMINIKA ABRAMOWICZ, GWARDIA BIAŁYSTOK |
| 4 | KARMELA CZERWIŃSKA, UKJ 225 |
| 5 | HELENA LIMOWSKA, YUKO JÓZEFÓW |

XX Turniej Judo 11.11.2015 AON Warszawa FU14-48

Competitors: 6

Competitors A

| # | Name | Grade | Club | 1 | 2 | 3 | Wins | Pts | Pos |
|---|-----------------------------|-------|--------------|----|---|---|------|-----|-----|
| 1 | OLIMPIA WALASIEWICZ (48,00) | ? | LTS CSP | | | | 0 | 0 | 3 |
| 2 | NATALIA ŁUKASZEWICZ (46,00) | ? | HALINÓW TEAM | 5 | | 7 | 2 | 12 | 1 |
| 3 | JULIA LAMPARSKA (47,90) | ? | JUDO FC | 10 | | | 1 | 10 | 2 |

Matches A

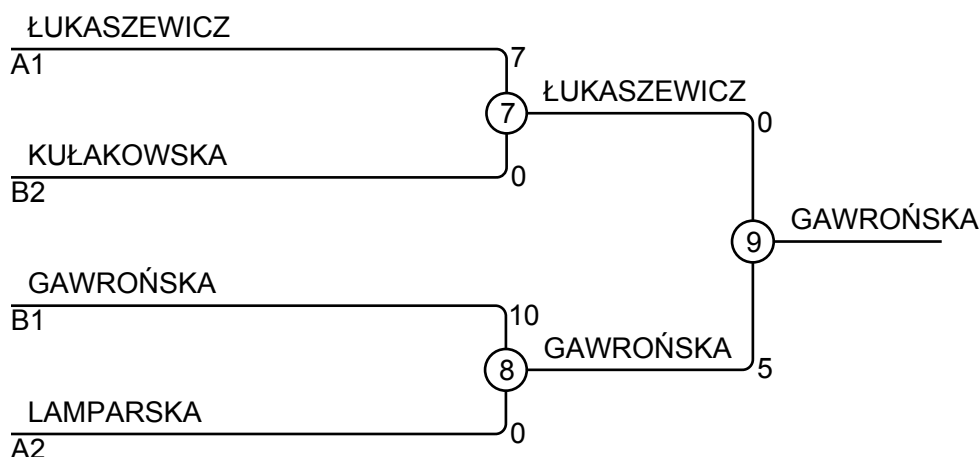
| Match | White | Blue | Result | Time |
|-------|-------------------------|---------------------|--------|------|
| 1 | OLIMPIA WALASIEWICZ 1 2 | NATALIA ŁUKASZEWICZ | 0 - 5 | 3:00 |
| 3 | OLIMPIA WALASIEWICZ 1 3 | JULIA LAMPARSKA | 0 - 10 | 2:29 |
| 5 | NATALIA ŁUKASZEWICZ 2 3 | JULIA LAMPARSKA | 7 - 0 | 3:00 |

Competitors B

| # | Name | Grade | Club | 4 | 5 | 6 | Wins | Pts | Pos |
|---|----------------------------|-------|---------------|----|----|---|------|-----|-----|
| 4 | ALEKSANDRA POŁASKA (46,00) | ? | AKADEMIA JUDO | | | | 0 | 0 | 3 |
| 5 | NEL KUŁAKOWSKA (47,60) | ? | YUKO JÓZEFÓW | 10 | | | 1 | 10 | 2 |
| 6 | DOMINIKA GAWROŃSKA (45,40) | ? | LEMUR | 10 | 10 | | 2 | 20 | 1 |

Matches B

| Match | White | Blue | Result | Time |
|-------|------------------------|--------------------|--------|------|
| 2 | ALEKSANDRA POŁASKA 4 5 | NEL KUŁAKOWSKA | 0 - 10 | 1:36 |
| 4 | ALEKSANDRA POŁASKA 4 6 | DOMINIKA GAWROŃSKA | 0 - 10 | 0:39 |
| 6 | NEL KUŁAKOWSKA 5 6 | DOMINIKA GAWROŃSKA | 0 - 10 | 0:43 |



Results

| Pos | Name |
|-----|-----------------------------------|
| 1 | DOMINIKA GAWROŃSKA, LEMUR |
| 2 | NATALIA ŁUKASZEWICZ, HALINÓW TEAM |
| 3 | NEL KUŁAKOWSKA, YUKO JÓZEFÓW |
| 3 | JULIA LAMPARSKA, JUDO FC |

XX Turniej Judo 11.11.2015 AON Warszawa FU14-52

Competitors: 4

Competitors

| # | Name | Grade | Club | 1 | 2 | 3 | 4 | Wins | Pts | Pos |
|---|----------------------------|-------|--------------|----|----|----|---|------|-----|-----|
| 1 | GABRIELA BOGDANIUK (50,10) | ? | HALINÓW TEAM | | | 10 | | 1 | 10 | 3 |
| 2 | ANNA ŁUKASZEWICZ (51,20) | ? | HALINÓW TEAM | 5 | | 10 | | 2 | 15 | 2 |
| 3 | JULIA TOMASZEK (48,50) | ? | LEMUR | | | | | 0 | 0 | 4 |
| 4 | AGATA PONTEK (49,10) | ? | AZS UW | 10 | 10 | 10 | | 3 | 30 | 1 |

Matches

| Match | White | Blue | Result | Time |
|-------|-------------------------|-----------------------|--------|------|
| 1 | GABRIELA BOGDANIUK 1 | ANNA ŁUKASZEWICZ 2 | 0 - 5 | 3:00 |
| 2 | JULIA TOMASZEK 3 | AGATA PONTEK 4 | 0 - 10 | 0:23 |
| 3 | GABRIELA BOGDANIUK 1 | JULIA TOMASZEK 3 | 10 - 0 | 1:06 |
| 4 | ANNA ŁUKASZEWICZ 2 | AGATA PONTEK 4 | 0 - 10 | 2:11 |
| 5 | GABRIELA BOGDANIUK 1 | AGATA PONTEK 4 | 0 - 10 | 0:55 |
| 6 | ANNA ŁUKASZEWICZ 2 | JULIA TOMASZEK 3 | 10 - 0 | 0:00 |

Results

| Pos | Name |
|-----|----------------------------------|
| 1 | AGATA PONTEK, AZS UW |
| 2 | ANNA ŁUKASZEWICZ, HALINÓW TEAM |
| 3 | GABRIELA BOGDANIUK, HALINÓW TEAM |
| 4 | JULIA TOMASZEK, LEMUR |

XX Turniej Judo 11.11.2015 AON Warszawa FU14-57

Competitors: 1

Competitors

| # | Name | Grade | Club | 1 | Wins | Pts | Pos |
|---|-----------------------|-------|--------------|---|------|-----|-----|
| 1 | NINA WOŹNICKA (55,70) | ? | HALINÓW TEAM | | 0 | 0 | 1 |

Matches

| Match | White | Blue | Result | Time |
|-------|-------|------|--------|------|
|-------|-------|------|--------|------|

Results

| Pos | Name |
|-----|-----------------------------|
| 1 | NINA WOŹNICKA, HALINÓW TEAM |

XX Turniej Judo 11.11.2015 AON Warszawa FU14+57

Competitors: 1

Competitors

| # | Name | Grade | Club | 1 | Wins | Pts | Pos |
|---|----------------------------|-------|-----------|---|------|-----|-----|
| 1 | YULIA KANDRASHOVA (76,40)? | | BREST UOR | | 0 | 0 | 1 |

Matches

| Match | White | Blue | Result | Time |
|-------|-------|------|--------|------|
|-------|-------|------|--------|------|

Results

| Pos | Name |
|-----|------------------------------|
| 1 | YULIA KANDRASHOVA, BREST UOR |

XX Turniej Judo 11.11.2015 AON Warszawa MU14-33

Competitors: 3

Competitors

| # | Name | Grade | Club | 1 | 2 | 3 | Wins | Pts | Pos |
|---|---------------------------|-------|-----------------|----|----|---|------|-----|-----|
| 1 | WIKTOR WIŚNIEWSKI (32,60) | ? | LEMUR | | | | 0 | 0 | 3 |
| 2 | OLEG KOWALCZYK (30,50) | ? | UKS 7 SOCHACZEW | 7 | | | 1 | 7 | 2 |
| 3 | ADAM MAŁOLEPSZY (29,20) | ? | UKJ AON W-WA | 10 | 10 | | 2 | 20 | 1 |

Matches

| Match | White | | | Blue | Result | Time |
|-------|-------------------|---|---|-----------------|--------|------|
| 1 | WIKTOR WIŚNIEWSKI | 1 | 2 | OLEG KOWALCZYK | 0 - 7 | 3:00 |
| 2 | WIKTOR WIŚNIEWSKI | 1 | 3 | ADAM MAŁOLEPSZY | 0 - 10 | 0:37 |
| 3 | OLEG KOWALCZYK | 2 | 3 | ADAM MAŁOLEPSZY | 0 - 10 | 0:51 |

Results

| Pos | Name |
|-----|---------------------------------|
| 1 | ADAM MAŁOLEPSZY, UKJ AON W-WA |
| 2 | OLEG KOWALCZYK, UKS 7 SOCHACZEW |
| 3 | WIKTOR WIŚNIEWSKI, LEMUR |

XX Turniej Judo 11.11.2015 AON Warszawa MU14-36

Competitors: 4

Competitors

| # | Name | Grade | Club | 1 | 2 | 3 | 4 | Wins | Pts | Pos |
|---|-------------------------------|-------|-----------|----|----|---|----|------|-----|-----|
| 1 | HUBERT SOSNÓWKA (35,40) | ? | AZS UW | | | | 10 | 1 | 10 | 3 |
| 2 | MARCIN ŚWIDWA (35,60) | ? | LEMUR | 10 | | | 10 | 2 | 20 | 2 |
| 3 | MIKITA RUDNIKIEVITSCH (34,20) | ? | BREST UOR | 10 | 10 | | 10 | 3 | 30 | 1 |
| 4 | MARCIN GOŁABEK (35,20) | ? | UKJ 225 | | | | | 0 | 0 | 4 |

Matches

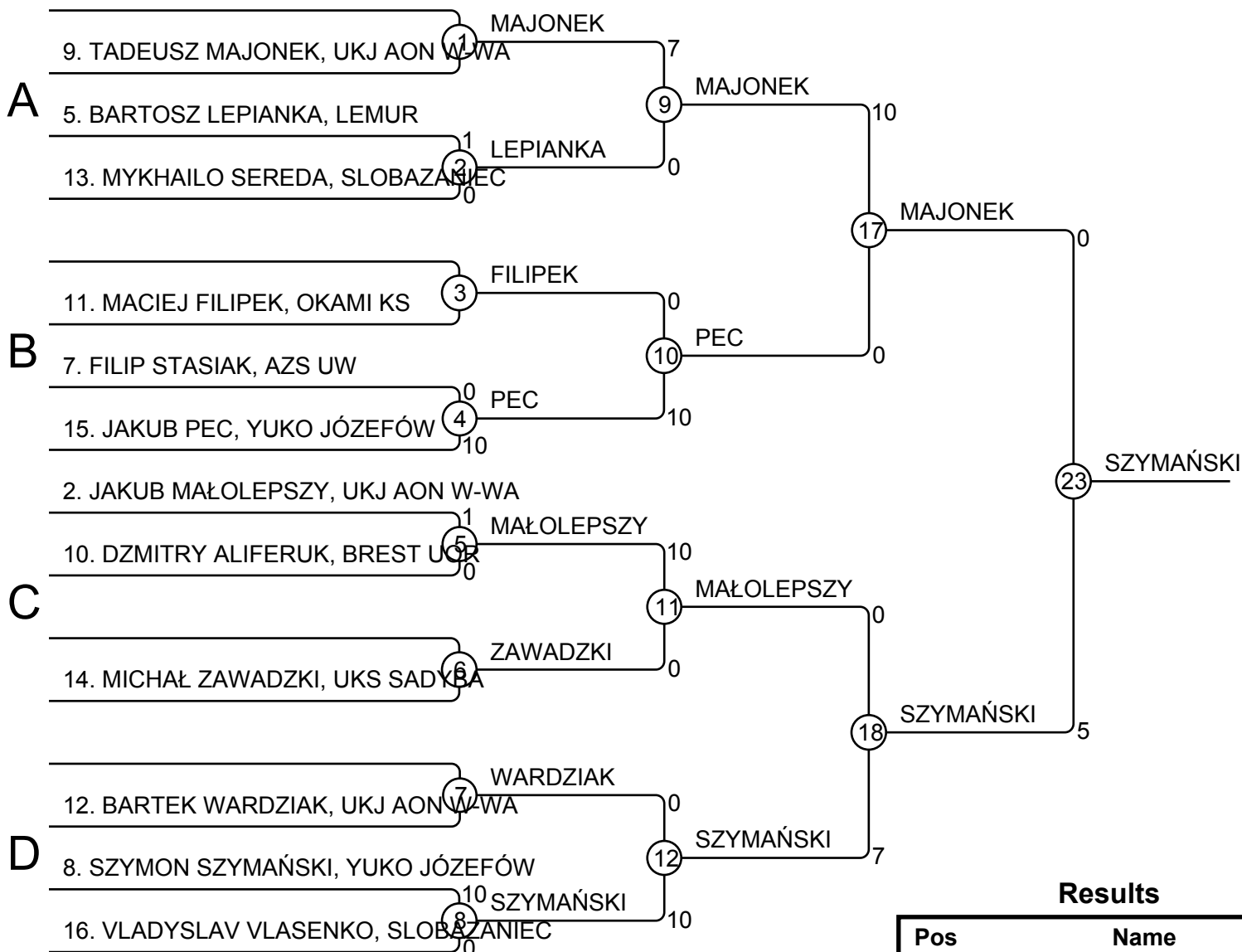
| Match | White | | | Blue | Result | Time |
|-------|-----------------------|---|---|-----------------------|--------|------|
| 1 | HUBERT SOSNÓWKA | 1 | 2 | MARCIN ŚWIDWA | 0 - 10 | 2:23 |
| 2 | MIKITA RUDNIKIEVITSCH | 3 | 4 | MARCIN GOŁABEK | 10 - 0 | 0:29 |
| 3 | HUBERT SOSNÓWKA | 1 | 3 | MIKITA RUDNIKIEVITSCH | 0 - 10 | 0:20 |
| 4 | MARCIN ŚWIDWA | 2 | 4 | MARCIN GOŁABEK | 10 - 0 | 1:50 |
| 5 | HUBERT SOSNÓWKA | 1 | 4 | MARCIN GOŁABEK | 10 - 0 | 0:13 |
| 6 | MARCIN ŚWIDWA | 2 | 3 | MIKITA RUDNIKIEVITSCH | 0 - 10 | 2:04 |

Results

| Pos | Name |
|-----|----------------------------------|
| 1 | MIKITA RUDNIKIEVITSCH, BREST UOR |
| 2 | MARCIN ŚWIDWA, LEMUR |
| 3 | HUBERT SOSNÓWKA, AZS UW |
| 4 | MARCIN GOŁABEK, UKJ 225 |

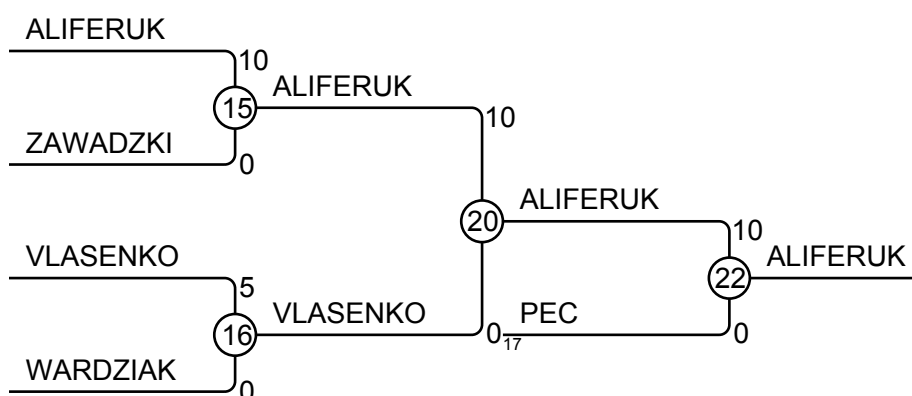
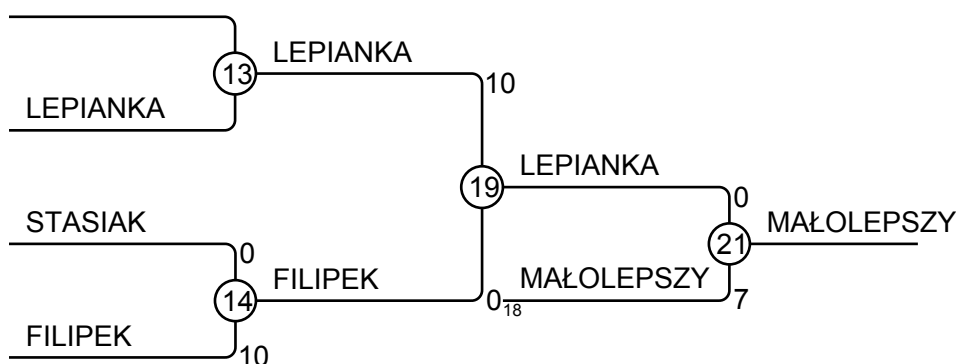
XX Turniej Judo 11.11.2015 AON Warszawa MU14-39

Competitors: 12



Results

| Pos | Name |
|-----|---------------------------------|
| 1 | SZYMON SZYMAŃSKI, YUKO JÓZEFÓW |
| 2 | TADEUSZ MAJONEK, UKJ AON W-WA |
| 3 | JAKUB MAŁOLEPSZY, UKJ AON W-WA |
| 3 | DZMITRY ALIFERUK, BREST UOR |
| 5 | BARTOSZ LEPIANKA, LEMUR |
| 5 | JAKUB PEC, YUKO JÓZEFÓW |
| 7 | MACIEJ FILIPEK, OKAMI KS |
| 7 | VLADYSLAV VLASENKO, SLOBAZANIEC |



XX Turniej Judo 11.11.2015 AON Warszawa MU14-42

Competitors: 8

Competitors A

| # | Name | Grade | Club | 1 | 2 | 3 | 4 | Wins | Pts | Pos |
|---|------------------------------|-------|--------------|----|----|---|----|------|-----|-----|
| 1 | FRANCISZEK BOGDANIUK (41,80) | ? | HALINÓW TEAM | | | | 10 | 1 | 10 | 3 |
| 2 | YAHOR SHEPELIUK (41,30) | ? | BREST UOR | 10 | | | 10 | 2 | 20 | 2 |
| 3 | WOJTEK KAZIMIERCZAK (39,80) | ? | PKS YAWARA | 10 | 10 | | 10 | 3 | 30 | 1 |
| 4 | MIŁOSZ WOŹNIAK (39,60) | ? | YUKO ZĄBKI | | | | | 0 | 0 | 4 |

Matches A

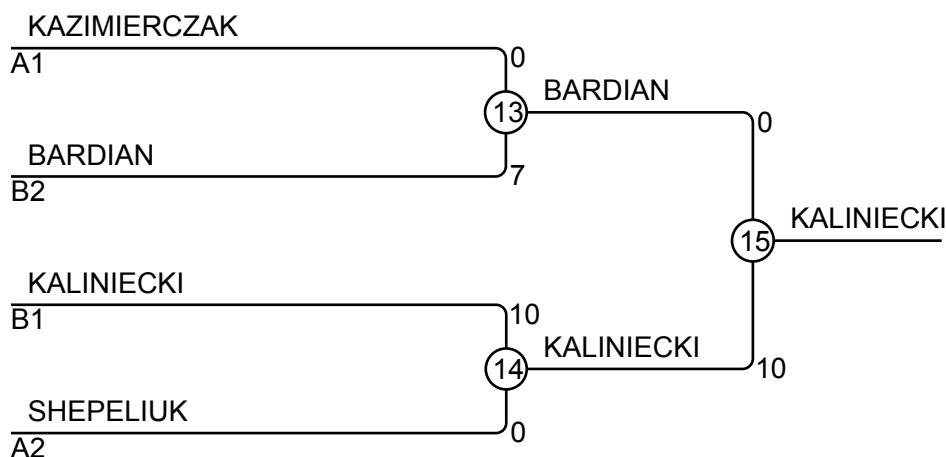
| Match | White | Blue | Result | Time |
|-------|------------------------|-----------------------|--------|------|
| 1 | FRANCISZEK BOGDANIUK 1 | 2 YAHOR SHEPELIUK | 0 - 10 | 0:18 |
| 3 | WOJTEK KAZIMIERCZAK 3 | 4 MIŁOSZ WOŹNIAK | 10 - 0 | 0:10 |
| 5 | FRANCISZEK BOGDANIUK 1 | 3 WOJTEK KAZIMIERCZAK | 0 - 10 | 2:18 |
| 7 | YAHOR SHEPELIUK 2 | 4 MIŁOSZ WOŹNIAK | 10 - 0 | 0:10 |
| 9 | FRANCISZEK BOGDANIUK 1 | 4 MIŁOSZ WOŹNIAK | 10 - 0 | 0:29 |
| 11 | YAHOR SHEPELIUK 2 | 3 WOJTEK KAZIMIERCZAK | 0 - 10 | 1:26 |

Competitors B

| # | Name | Grade | Club | 5 | 6 | 7 | 8 | Wins | Pts | Pos |
|---|---------------------------|-------|---------------|---|---|----|----|------|-----|-----|
| 5 | MICHAŁ KALINIECKI (41,80) | ? | YUKO JÓZEFÓW | | 5 | 10 | 10 | 3 | 25 | 1 |
| 6 | HUBERT BARDIAN (40,00) | ? | LEMUR | | | 10 | 10 | 2 | 20 | 2 |
| 7 | MIKITA KAPUZA (39,90) | ? | BREST UOR | | | | | 0 | 0 | 4 |
| 8 | BARTOSZ JEŻEWSKI (40,30) | ? | AKADEMIA JUDO | | | 10 | | 1 | 10 | 3 |

Matches B

| Match | White | Blue | Result | Time |
|-------|---------------------|--------------------|--------|------|
| 2 | MICHAŁ KALINIECKI 5 | 6 HUBERT BARDIAN | 5 - 0 | 7:10 |
| 4 | MIKITA KAPUZA 7 | 8 BARTOSZ JEŻEWSKI | 0 - 10 | 0:45 |
| 6 | MICHAŁ KALINIECKI 5 | 7 MIKITA KAPUZA | 10 - 0 | 1:33 |
| 8 | HUBERT BARDIAN 6 | 8 BARTOSZ JEŻEWSKI | 10 - 0 | 1:08 |
| 10 | MICHAŁ KALINIECKI 5 | 8 BARTOSZ JEŻEWSKI | 10 - 0 | 0:26 |
| 12 | HUBERT BARDIAN 6 | 7 MIKITA KAPUZA | 10 - 0 | 0:12 |



Results

| Pos | Name |
|-----|---------------------------------|
| 1 | MICHAŁ KALINIECKI, YUKO JÓZEFÓW |
| 2 | HUBERT BARDIAN, LEMUR |
| 3 | WOJTEK KAZIMIERCZAK, PKS YAWARA |
| 3 | YAHOR SHEPELIUK, BREST UOR |

XX Turniej Judo 11.11.2015 AON Warszawa MU14-45

Competitors: 12

1. KAMIL GRABOWSKI, AZS UW

9. MICHAŁ WĄSIKOWSKI, JUDO LEGIA W-WA

13. EMIL KURPIEL, UKJ BUSHIDO PASIECZNA

11. FRANCISZEK ZAWISTOWSKI, YUKO JOZEFOW

7. JAKUB GÓRKA, UKS 7 SOCHACZEW
15. KRYSZTOF ADAMCZYK, JUDO KONTRA

2. MIKOŁAJ MISZCZUK, AZS AWF W-WA

10. HUBERT PASIECZYŃSKI, LEMUR

14. ADAM MAJEWSKI, PCS

12. RAFAŁ SZULIMOWSKI, GWARDIA BIAŁYSTOK

8. FILIP KOSNOWICZ, UKJ AON W-WA

16. MATEUSZ KOS, UKJ RYŚ W-WA

WĄSIKOWSKI

13. WĄSIKOWSKI
KURPIEL

ADAMCZYK

14. ZAWISTOWSKI
ZAWISTOWSKI

15. PASIECZYŃSKI
PASIECZYŃSKI

KOS

16. KOS
SZULIMOWSKI

10. GRABOWSKI

9. GRABOWSKI

10. GRABOWSKI

17. GÓRKA

10. GÓRKA

10. GÓRKA

10. GÓRKA

23. MAJEWSKI

11. PASIECZYŃSKI

11. MAJEWSKI

6. MAJEWSKI

18. MAJEWSKI

12. SZULIMOWSKI

12. KOSNOWICZ

10. KOSNOWICZ

19. ZAWISTOWSKI

21. ZAWISTOWSKI

10. ZAWISTOWSKI

10. ZAWISTOWSKI

10. KOSNOWICZ

20. PASIECZYŃSKI

20. PASIECZYŃSKI

10. PASIECZYŃSKI

10. PASIECZYŃSKI

10. PASIECZYŃSKI

10. PASIECZYŃSKI

10. PASIECZYŃSKI

Results

| Pos | Name |
|-----|--------------------------------------|
| 1 | ADAM MAJEWSKI, PCS |
| 2 | JAKUB GÓRKA, UKS 7 SOCHACZEW |
| 3 | FRANCISZEK ZAWISTOWSKI, YUKO JOZEFOW |
| 3 | HUBERT PASIECZYŃSKI, LEMUR |
| 5 | FILIP KOSNOWICZ, UKJ AON W-WA |
| 5 | KAMIL GRABOWSKI, AZS UW |
| 7 | MICHAŁ WĄSIKOWSKI, JUDO LEGIA W-WA |
| 7 | MATEUSZ KOS, UKJ RYŚ W-WA |

XX Turniej Judo 11.11.2015 AON Warszawa MU14-50

Competitors: 6

Competitors A

| # | Name | Grade | Club | 1 | 2 | 3 | Wins | Pts | Pos |
|---|----------------------------|-------|--------------|----|---|---|------|-----|-----|
| 1 | KACPER LEWANDOWSKI (49,80) | ? | YUKO JÓZEFÓW | | | | 0 | 0 | 3 |
| 2 | GABRIEL SKIPIAŁA (47,50) | ? | LEMUR | 10 | | 7 | 2 | 17 | 1 |
| 3 | MICHAŁ WYSOCKI (47,50) | ? | UKJ AON W-WA | 5 | | | 1 | 5 | 2 |

Matches A

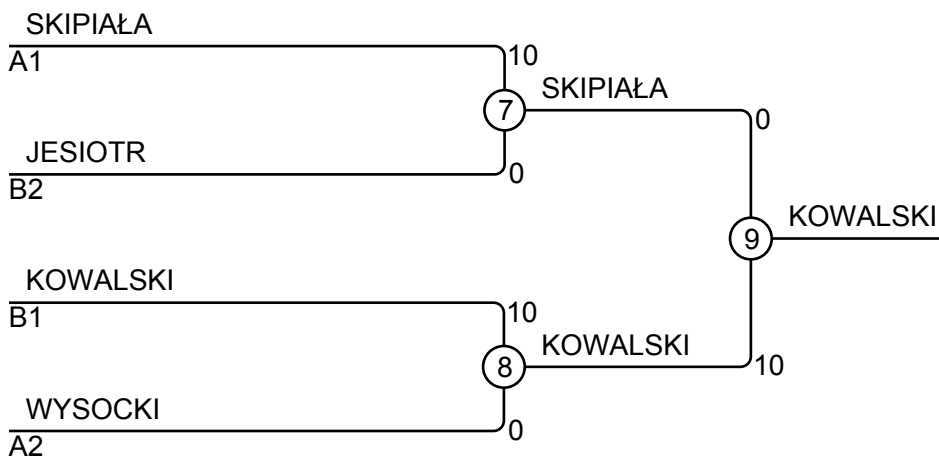
| Match | White | Blue | Result | Time |
|-------|--------------------|------------------|--------|------|
| 1 | KACPER LEWANDOWSKI | GABRIEL SKIPIAŁA | 0 - 10 | 1:09 |
| 3 | KACPER LEWANDOWSKI | MICHAŁ WYSOCKI | 0 - 5 | 3:00 |
| 5 | GABRIEL SKIPIAŁA | MICHAŁ WYSOCKI | 7 - 0 | 3:00 |

Competitors B

| # | Name | Grade | Club | 4 | 5 | 6 | Wins | Pts | Pos |
|---|------------------------------|-------|--------------|---|----|----|------|-----|-----|
| 4 | MARCIN KOWALSKI (48,90) | ? | LEMUR | | 10 | 10 | 2 | 20 | 1 |
| 5 | MICHAŁ MŁODZIANOWSKI (49,30) | ? | UKJ ARCUS | | | | 0 | 0 | 3 |
| 6 | MICHAŁ JESIOTR (46,70) | ? | YUKO JÓZEFÓW | | 10 | | 1 | 10 | 2 |

Matches B

| Match | White | Blue | Result | Time |
|-------|----------------------|----------------------|--------|------|
| 2 | MARCIN KOWALSKI | MICHAŁ MŁODZIANOWSKI | 10 - 0 | 2:12 |
| 4 | MARCIN KOWALSKI | MICHAŁ JESIOTR | 10 - 0 | 1:22 |
| 6 | MICHAŁ MŁODZIANOWSKI | MICHAŁ JESIOTR | 0 - 10 | 2:40 |



Results

| Pos | Name |
|-----|------------------------------|
| 1 | MARCIN KOWALSKI, LEMUR |
| 2 | GABRIEL SKIPIAŁA, LEMUR |
| 3 | MICHAŁ JESIOTR, YUKO JÓZEFÓW |
| 3 | MICHAŁ WYSOCKI, UKJ AON W-WA |

XX Turniej Judo 11.11.2015 AON Warszawa MU14-55

Competitors: 7

Competitors A

| # | Name | Grade | Club | 1 | 2 | 3 | 4 | Wins | Pts | Pos |
|---|---------------------------|-------|-------------------|---|----|----|----|------|-----|-----|
| 1 | ALEKSANDER EIDUKS (53,80) | ? | AZS UW | | 10 | 10 | 10 | 3 | 30 | 1 |
| 2 | CEZARY PANAS (50,50) | ? | YUKO JÓZEFÓW | | | | | 0 | 0 | 4 |
| 3 | ALEX LASMOK (55,00) | ? | GUARDIA BIAŁYSTOK | | 10 | | | 1 | 10 | 3 |
| 4 | IGOR CISIAK (53,10) | ? | LEMUR | | 10 | 10 | | 2 | 20 | 2 |

Matches A

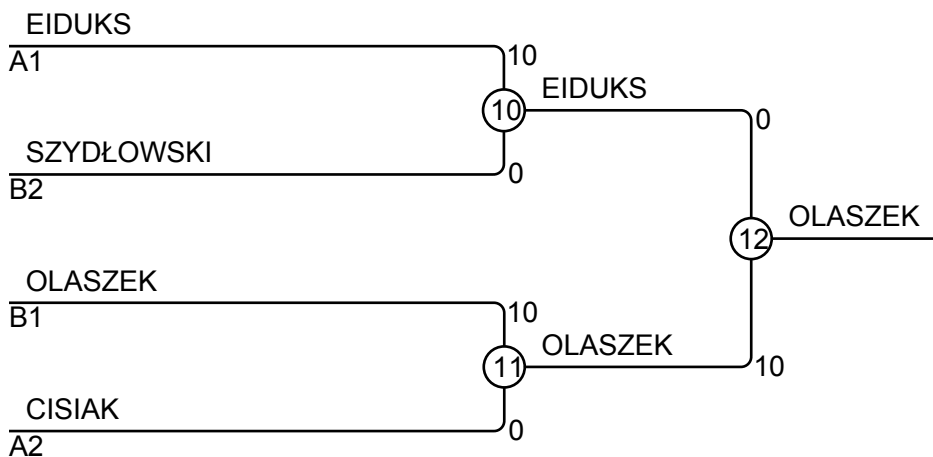
| Match | White | Blue | Result | Time |
|-------|---------------------|----------------|--------|------|
| 1 | ALEKSANDER EIDUKS 1 | CEZARY PANAS 2 | 10 - 0 | 2:55 |
| 2 | ALEX LASMOK 3 | IGOR CISIAK 4 | 0 - 10 | 3:26 |
| 4 | ALEKSANDER EIDUKS 1 | ALEX LASMOK 3 | 10 - 0 | 0:39 |
| 5 | CEZARY PANAS 2 | IGOR CISIAK 4 | 0 - 10 | 0:47 |
| 7 | ALEKSANDER EIDUKS 1 | IGOR CISIAK 4 | 10 - 0 | 0:42 |
| 8 | CEZARY PANAS 2 | ALEX LASMOK 3 | 0 - 10 | 0:00 |

Competitors B

| # | Name | Grade | Club | 5 | 6 | 7 | Wins | Pts | Pos |
|---|----------------------------|-------|---------------|----|---|----|------|-----|-----|
| 5 | BARTOSZ LEGUTOWSKI (52,20) | | UKJ AON W-WA | | | | 0 | 0 | 3 |
| 6 | ARTUR OLASZEK (51,60) | ? | AKADEMIA JUDO | 10 | | 10 | 2 | 20 | 1 |
| 7 | RAFAŁ SZYDŁOWSKI (54,60) | ? | AZS AWF W-WA | 10 | | | 1 | 10 | 2 |

Matches B

| Match | White | Blue | Result | Time |
|-------|----------------------|--------------------|--------|------|
| 3 | BARTOSZ LEGUTOWSKI 5 | ARTUR OLASZEK 6 | 0 - 10 | 0:30 |
| 6 | BARTOSZ LEGUTOWSKI 5 | RAFAŁ SZYDŁOWSKI 7 | 0 - 10 | 2:17 |
| 9 | ARTUR OLASZEK 6 | RAFAŁ SZYDŁOWSKI 7 | 10 - 0 | 1:17 |



Results

| Pos | Name |
|-----|--------------------------------|
| 1 | ARTUR OLASZEK, AKADEMIA JUDO |
| 2 | ALEKSANDER EIDUKS, AZS UW |
| 3 | RAFAŁ SZYDŁOWSKI, AZS AWF W-WA |
| 3 | IGOR CISIAK, LEMUR |

XX Turniej Judo 11.11.2015 AON Warszawa MU14-60

Competitors: 5

Competitors

| # | Name | Grade | Club | 1 | 2 | 3 | 4 | 5 | Wins | Pts | Pos |
|---|---------------------------|-------|-----------------|----|---|----|---|----|------|-----|-----|
| 1 | SZYMON WITUSIK (58,80) | ? | UKJ ARCUS | | | | | 10 | 1 | 10 | 4 |
| 2 | PIOTR DYGA (57,00) | ? | UKJ RYŚ W-WA | 10 | | 10 | 1 | 10 | 4 | 31 | 1 |
| 3 | KRYSTIAN TEMPCZYK (58,90) | ? | UKS 7 SOCHACZEW | 5 | | | | 10 | 2 | 15 | 3 |
| 4 | JAKUB KUBAN (60,00) | ? | HALINÓW TEAM | 10 | | 7 | | 10 | 3 | 27 | 2 |
| 5 | ANTONI SKOWROŃSKI (58,30) | ? | AZS AWF W-WA | | | | | | 0 | 0 | 5 |

Matches

| Match | White | | | Blue | Result | Time |
|-------|-------------------|---|---|-------------------|--------|------|
| 1 | JAKUB KUBAN | 4 | 5 | ANTONI SKOWROŃSKI | 10 - 0 | 0:24 |
| 2 | SZYMON WITUSIK | 1 | 2 | PIOTR DYGA | 0 - 10 | 1:40 |
| 3 | KRYSTIAN TEMPCZYK | 3 | 4 | JAKUB KUBAN | 0 - 7 | 3:00 |
| 4 | SZYMON WITUSIK | 1 | 5 | ANTONI SKOWROŃSKI | 10 - 0 | 0:37 |
| 5 | PIOTR DYGA | 2 | 3 | KRYSTIAN TEMPCZYK | 10 - 0 | 3:00 |
| 6 | SZYMON WITUSIK | 1 | 4 | JAKUB KUBAN | 0 - 10 | 1:16 |
| 7 | KRYSTIAN TEMPCZYK | 3 | 5 | ANTONI SKOWROŃSKI | 10 - 0 | 0:31 |
| 8 | PIOTR DYGA | 2 | 4 | JAKUB KUBAN | 1 - 0 | 3:00 |
| 9 | SZYMON WITUSIK | 1 | 3 | KRYSTIAN TEMPCZYK | 0 - 5 | 3:00 |
| 10 | PIOTR DYGA | 2 | 5 | ANTONI SKOWROŃSKI | 10 - 0 | 1:02 |

Results

| Pos | Name |
|-----|------------------------------------|
| 1 | PIOTR DYGA, UKJ RYŚ W-WA |
| 2 | JAKUB KUBAN, HALINÓW TEAM |
| 3 | KRYSTIAN TEMPCZYK, UKS 7 SOCHACZEW |
| 4 | SZYMON WITUSIK, UKJ ARCUS |
| 5 | ANTONI SKOWROŃSKI, AZS AWF W-WA |

XX Turniej Judo 11.11.2015 AON Warszawa MU14-66

Competitors: 6

Competitors A

| # | Name | Grade | Club | 1 | 2 | 3 | Wins | Pts | Pos |
|---|---------------------------|-------|--------------|----|---|---|------|-----|-----|
| 1 | RAFAŁ MAMOT (65,50) | ? | LEMUR | | | | 0 | 0 | 3 |
| 2 | ILGA AKULAN (60,30) | ? | BREST UOR | 10 | | 7 | 2 | 17 | 1 |
| 3 | BARTOSZ JAKUBUSEK (60,40) | ? | AZS AWF W-WA | 1 | | | 1 | 1 | 2 |

Matches A

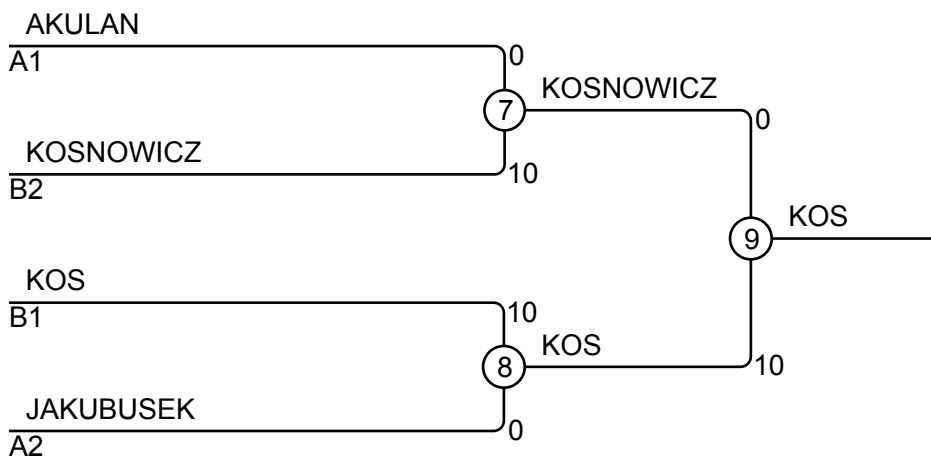
| Match | White | Blue | Result | Time |
|-------|-------------|-----------------------|--------|------|
| 1 | RAFAŁ MAMOT | 1 2 ILGA AKULAN | 0 - 10 | 0:33 |
| 3 | RAFAŁ MAMOT | 1 3 BARTOSZ JAKUBUSEK | 0 - 1 | 3:00 |
| 5 | ILGA AKULAN | 2 3 BARTOSZ JAKUBUSEK | 7 - 0 | 3:00 |

Competitors B

| # | Name | Grade | Club | 4 | 5 | 6 | Wins | Pts | Pos |
|---|--------------------------|-------|--------------|---|----|----|------|-----|-----|
| 4 | KAMIL KOS (64,80) | ? | WARDIA W-WA | | 10 | 1 | 2 | 11 | 1 |
| 5 | PATRYK KOSNOWICZ (65,00) | ? | UKJ AON W-WA | | | 10 | 1 | 10 | 2 |
| 6 | YAHOR VALIARATY (65,30) | ? | BREST UOR | | | | 0 | 0 | 3 |

Matches B

| Match | White | Blue | Result | Time |
|-------|------------------|----------------------|--------|------|
| 2 | KAMIL KOS | 4 5 PATRYK KOSNOWICZ | 10 - 0 | 2:21 |
| 4 | KAMIL KOS | 4 6 YAHOR VALIARATY | 1 - 0 | 3:00 |
| 6 | PATRYK KOSNOWICZ | 5 6 YAHOR VALIARATY | 10 - 0 | 0:47 |

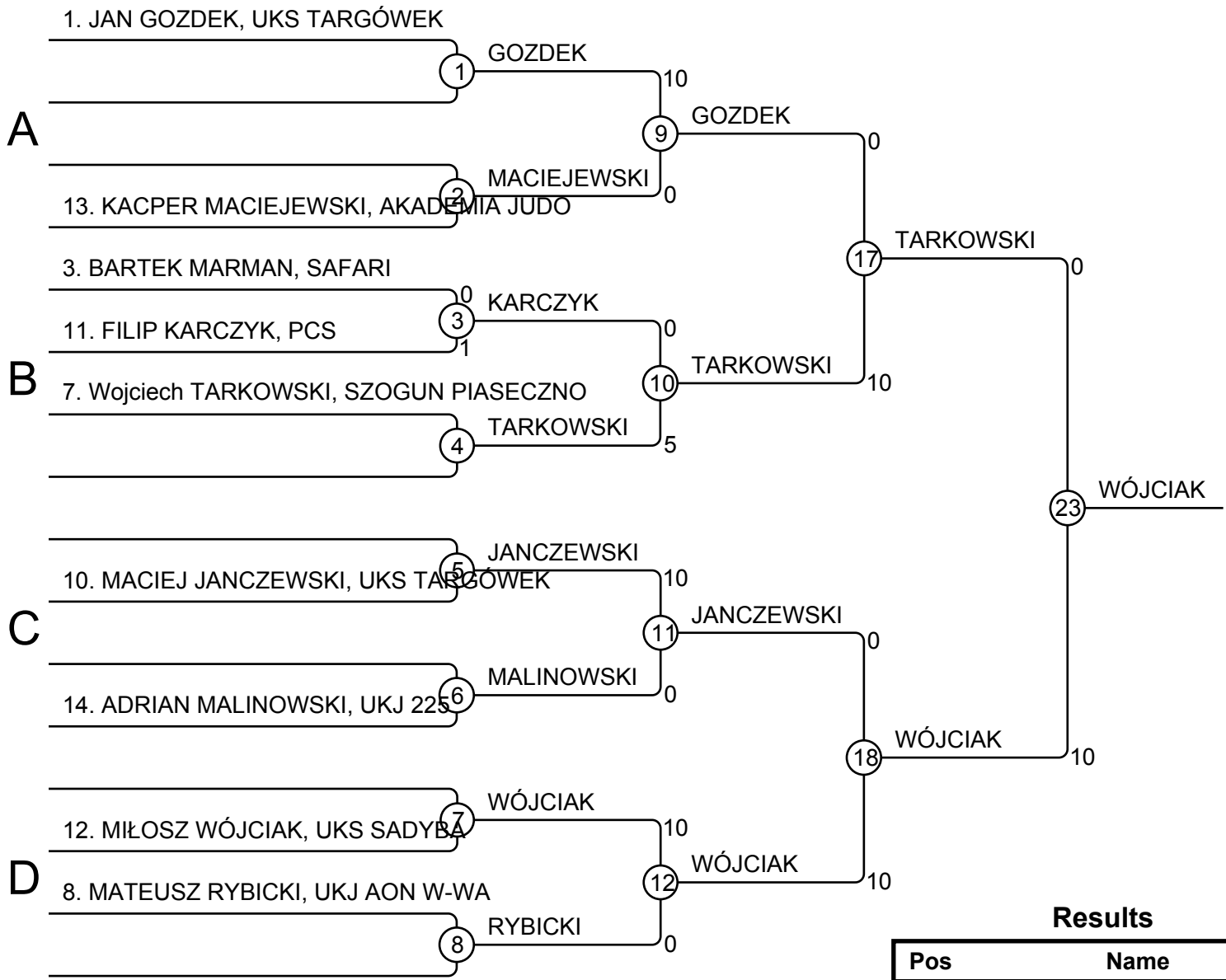


Results

| Pos | Name |
|-----|---------------------------------|
| 1 | KAMIL KOS, GWARDIA W-WA |
| 2 | PATRYK KOSNOWICZ, UKJ AON W-WA |
| 3 | ILGA AKULAN, BREST UOR |
| 3 | BARTOSZ JAKUBUSEK, AZS AWF W-WA |

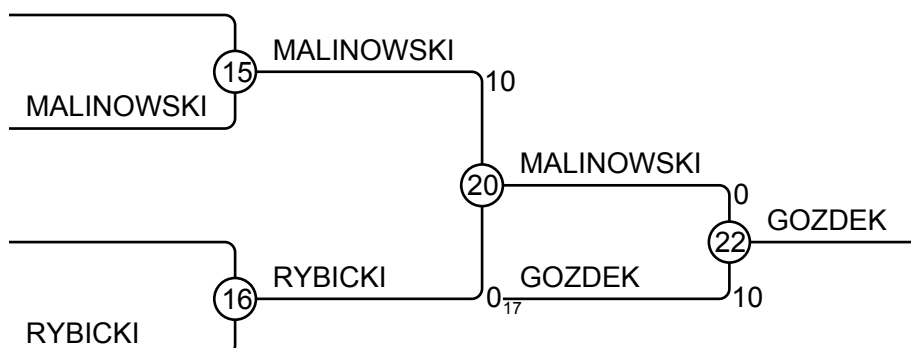
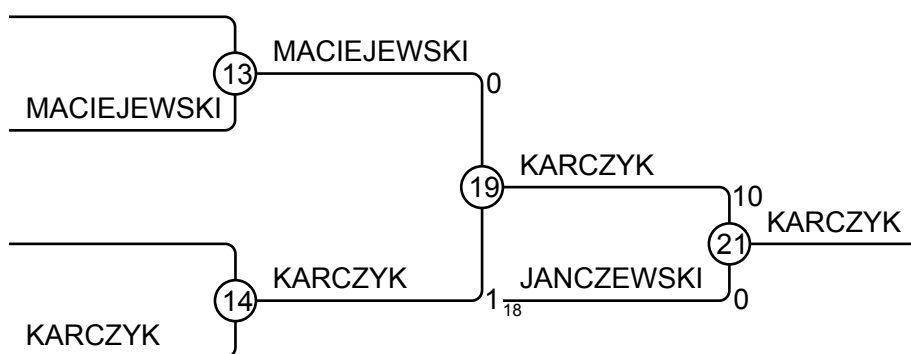
XX Turniej Judo 11.11.2015 AON Warszawa MU14+66

Competitors: 9



Results

| Pos | Name |
|-----|-------------------------------|
| 1 | MIŁOSZ WÓJCIAK, UKS SADYBA |
| 2 | Wojciech TARKOWSKI, SZOGUN PI |
| 3 | FILIP KARCZYK, PCS |
| 3 | JAN GOZDEK, UKS TARGÓWEK |
| 5 | MACIEJ JANCZEWSKI, UKS TARGÓ |
| 5 | ADRIAN MALINOWSKI, UKJ 225 |
| 7 | KACPER MACIEJEWSKI, AKADEMIA |
| 7 | MATEUSZ RYBICKI, UKJ AON W-W |



XX Turniej Judo 11.11.2015 AON Warszawa FU16-44

Competitors: 3

Competitors

| # | Name | Grade | Club | 1 | 2 | 3 | 2 | 3 | 2 | Wins | Pts | Pos |
|---|------------------------------|-------|--------------|----|---|----|---|---|----|------|-----|-----|
| 1 | POLA MISIAK (43,50) | ? | YUKO JÓZEFÓW | | | | | | | 0 | 0 | 3 |
| 2 | ALEKSANDRA POLKOWSKA (44,00) | ? | JUDO KONTRA | 10 | | | | | | 1 | 10 | 2 |
| 3 | JULIA ZABOROWSKA (44,00) | ? | UKJ AON W-WA | | | 10 | | | 10 | 2 | 20 | 1 |

Matches

| Match | White | | | Blue | Result | Time |
|-------|----------------------|---|---|----------------------|--------|------|
| 1 | POLA MISIAK | 1 | 2 | ALEKSANDRA POLKOWSKA | 0 - 10 | 1:29 |
| 2 | POLA MISIAK | 1 | 3 | JULIA ZABOROWSKA | 0 - 10 | 0:39 |
| 3 | ALEKSANDRA POLKOWSKA | 2 | 3 | JULIA ZABOROWSKA | 0 - 10 | 0:16 |

Results

| Pos | Name |
|-----|-----------------------------------|
| 1 | JULIA ZABOROWSKA, UKJ AON W-WA |
| 2 | ALEKSANDRA POLKOWSKA, JUDO KONTRA |
| 3 | POLA MISIAK, YUKO JÓZEFÓW |

XX Turniej Judo 11.11.2015 AON Warszawa FU16-48

Competitors: 2

Competitors

| # | Name | Grade | Club | 1 | 2 | 1 | 2 | 1 | 2 | Wins | Pts | Pos |
|---|----------------------------|-------|--------------|----|---|----|---|---|---|------|-----|-----|
| 1 | ANGELIKA KOZŁOWSKA (46,00) | | UKJ AON W-WA | | | | | | | 0 | 0 | 2 |
| 2 | MARTA KALINIECKA (47,00) | ? | YUKO JÓZEFÓW | 10 | | 10 | | | | 2 | 20 | 1 |

Matches

| Match | White | | | Blue | Result | Time |
|-------|--------------------|---|---|------------------|--------|------|
| 1 | ANGELIKA KOZŁOWSKA | 1 | 2 | MARTA KALINIECKA | 0 - 10 | 0:12 |
| 2 | ANGELIKA KOZŁOWSKA | 1 | 2 | MARTA KALINIECKA | 0 - 10 | 0:00 |
| 3 | ANGELIKA KOZŁOWSKA | 1 | 2 | MARTA KALINIECKA | | |

Results

| Pos | Name |
|-----|----------------------------------|
| 1 | MARTA KALINIECKA, YUKO JÓZEFÓW |
| 2 | ANGELIKA KOZŁOWSKA, UKJ AON W-WA |

XX Turniej Judo 11.11.2015 AON Warszawa FU16-52

Competitors: 4

Competitors

| # | Name | Grade | Club | 1 | 2 | 3 | 4 | Wins | Pts | Pos |
|---|----------------------------------|-------|--------------|----|----|---|----|------|-----|-----|
| 1 | MICHALINA SKIPIAŁA (51,70) | ? | LEMUR | | 10 | | 7 | 2 | 17 | 2 |
| 2 | ADELA JEZIEŃSKA-SUWIŃSKA (49,60) | ? | GWARDIA W-WA | | | | | 0 | 0 | 4 |
| 3 | ŁUCJA OBAL (51,40) | ? | HALINÓW TEAM | 10 | 10 | | 10 | 3 | 30 | 1 |
| 4 | JOANNA ROPÍŃSKA (51,20) | ? | BKS YAWARA | | 10 | | | 1 | 10 | 3 |

Matches

| Match | White | | | Blue | Result | Time |
|-------|--------------------------|---|---|--------------------------|--------|------|
| 1 | MICHALINA SKIPIAŁA | 1 | 2 | ADELA JEZIEŃSKA-SUWIŃSKA | 10 - 0 | 0:33 |
| 2 | ŁUCJA OBAL | 3 | 4 | JOANNA ROPÍŃSKA | 10 - 0 | 0:14 |
| 3 | MICHALINA SKIPIAŁA | 1 | 3 | ŁUCJA OBAL | 0 - 10 | 0:13 |
| 4 | ADELA JEZIEŃSKA-SUWIŃSKA | 2 | 4 | JOANNA ROPÍŃSKA | 0 - 10 | 2:00 |
| 5 | MICHALINA SKIPIAŁA | 1 | 4 | JOANNA ROPÍŃSKA | 7 - 0 | 3:00 |
| 6 | ADELA JEZIEŃSKA-SUWIŃSKA | 2 | 3 | ŁUCJA OBAL | 0 - 10 | 0:18 |

Results

| Pos | Name |
|-----|--|
| 1 | ŁUCJA OBAL, HALINÓW TEAM |
| 2 | MICHALINA SKIPIAŁA, LEMUR |
| 3 | JOANNA ROPÍŃSKA, BKS YAWARA |
| 4 | ADELA JEZIEŃSKA-SUWIŃSKA, GWARDIA W-WA |

XX Turniej Judo 11.11.2015 AON Warszawa FU16-57

Competitors: 4

Competitors

| # | Name | Grade | Club | 1 | 2 | 3 | 4 | Wins | Pts | Pos |
|---|---------------------------|-------|--------------|----|----|---|----|------|-----|-----|
| 1 | DOMINIKA ADAMCZYK (56,50) | ? | JUDO KONTRA | | 10 | | 10 | 2 | 20 | 2 |
| 2 | KINGA WIECZOREK (56,70) | ? | UKS TARGÓWEK | | | | 10 | 1 | 10 | 3 |
| 3 | KATSIARYNA SEHEN (57,00) | ? | BREST UOR | 10 | 10 | | 10 | 3 | 30 | 1 |
| 4 | MARIA ŻUKOWSKA (53,80) | ? | LTS CSP | | | | | 0 | 0 | 4 |

Matches

| Match | White | | | Blue | Result | Time |
|-------|-------------------|---|---|------------------|--------|------|
| 1 | DOMINIKA ADAMCZYK | 1 | 2 | KINGA WIECZOREK | 10 - 0 | 0:41 |
| 2 | KATSIARYNA SEHEN | 3 | 4 | MARIA ŻUKOWSKA | 10 - 0 | 0:13 |
| 3 | DOMINIKA ADAMCZYK | 1 | 3 | KATSIARYNA SEHEN | 0 - 10 | 0:19 |
| 4 | KINGA WIECZOREK | 2 | 4 | MARIA ŻUKOWSKA | 10 - 0 | 0:17 |
| 5 | DOMINIKA ADAMCZYK | 1 | 4 | MARIA ŻUKOWSKA | 10 - 0 | 1:42 |
| 6 | KINGA WIECZOREK | 2 | 3 | KATSIARYNA SEHEN | 0 - 10 | 2:03 |

Results

| Pos | Name |
|-----|--------------------------------|
| 1 | KATSIARYNA SEHEN, BREST UOR |
| 2 | DOMINIKA ADAMCZYK, JUDO KONTRA |
| 3 | KINGA WIECZOREK, UKS TARGÓWEK |
| 4 | MARIA ŻUKOWSKA, LTS CSP |

XX Turniej Judo 11.11.2015 AON Warszawa FU16-63

Competitors: 2

Competitors

| # | Name | Grade | Club | 1 | 2 | 1 | 2 | 1 | 2 | Wins | Pts | Pos |
|---|---------------------------------|-------|-------------|----|---|---|---|---|---|------|-----|-----|
| 1 | WIKTORIA ZALEWSKA (59,00) | ? | JUDO KONTRA | | | | | | | 0 | 0 | 2 |
| 2 | KATSIARYNA SAKALOVSKAYA (59,10) | ? | BREST UOR | 10 | | 7 | | | | 2 | 17 | 1 |

Matches

| Match | White | | | Blue | Result | Time |
|-------|-------------------|---|---|-------------------------|--------|------|
| 1 | WIKTORIA ZALEWSKA | 1 | 2 | KATSIARYNA SAKALOVSKAYA | 0 - 10 | 2:37 |
| 2 | WIKTORIA ZALEWSKA | 1 | 2 | KATSIARYNA SAKALOVSKAYA | 0 - 7 | 3:00 |
| 3 | WIKTORIA ZALEWSKA | 1 | 2 | KATSIARYNA SAKALOVSKAYA | | |

Results

| Pos | Name |
|-----|------------------------------------|
| 1 | KATSIARYNA SAKALOVSKAYA, BREST UOR |
| 2 | WIKTORIA ZALEWSKA, JUDO KONTRA |

XX Turniej Judo 11.11.2015 AON Warszawa FU16-70

Competitors: 1

Competitors

| # | Name | Grade | Club | 1 | Wins | Pts | Pos |
|---|----------------------|-------|--------------|---|------|-----|-----|
| 1 | JULIA KŁUSEK (65,20) | ? | HALINÓW TEAM | | 0 | 0 | 1 |

Matches

| Match | White | Blue | Result | Time |
|-------|-------|------|--------|------|
|-------|-------|------|--------|------|

Results

| Pos | Name |
|-----|----------------------------|
| 1 | JULIA KŁUSEK, HALINÓW TEAM |

XX Turniej Judo 11.11.2015 AON Warszawa FU16+70

Competitors: 1

Competitors

| # | Name | Grade | Club | 1 | Wins | Pts | Pos |
|---|----------------------------|-------|--------------|---|------|-----|-----|
| 1 | ALICJA SOKOŁOWSKA (93,70)? | | YUKO JÓZEFÓW | | 0 | 0 | 1 |

Matches

| Match | White | Blue | Result | Time |
|-------|-------|------|--------|------|
|-------|-------|------|--------|------|

Results

| Pos | Name |
|-----|---------------------------------|
| 1 | ALICJA SOKOŁOWSKA, YUKO JÓZEFÓW |

XX Turniej Judo 11.11.2015 AON Warszawa MU16-42

Competitors: 2

Competitors

| # | Name | Grade | Club | 1 | 2 | 1 | 2 | 1 | 2 | Wins | Pts | Pos |
|---|--------------------------|-------|--------------|---|----|---|----|---|---|------|-----|-----|
| 1 | SZYMON SZYMAŃSKI (38,50) | ? | YUKO JÓZEFÓW | | 10 | | 10 | | | 2 | 20 | 1 |
| 2 | MICHAŁ FRĄCZYK (41,15) | ? | JUDO FC | | | | | | | 0 | 0 | 2 |

Matches

| Match | White | | | Blue | Result | Time |
|-------|------------------|---|---|----------------|--------|------|
| 1 | SZYMON SZYMAŃSKI | 1 | 2 | MICHAŁ FRĄCZYK | 10 - 0 | 2:36 |
| 2 | SZYMON SZYMAŃSKI | 1 | 2 | MICHAŁ FRĄCZYK | 10 - 0 | 0:42 |
| 3 | SZYMON SZYMAŃSKI | 1 | 2 | MICHAŁ FRĄCZYK | | |

Results

| Pos | Name |
|-----|--------------------------------|
| 1 | SZYMON SZYMAŃSKI, YUKO JÓZEFÓW |
| 2 | MICHAŁ FRĄCZYK, JUDO FC |

XX Turniej Judo 11.11.2015 AON Warszawa MU16-46

Competitors: 6

Competitors A

| # | Name | Grade | Club | 1 | 2 | 3 | Wins | Pts | Pos |
|---|-----------------------------|-------|--------------|---|---|----|------|-----|-----|
| 1 | GABRIEL LEWANDOWSKI (45,90) | | YUKO JÓZEFÓW | | | 10 | 1 | 10 | 2 |
| 2 | ADAM OLAY-FERNANDEZ (43,60) | | PCS | 1 | | 10 | 2 | 11 | 1 |
| 3 | FILIP KOSNOWICZ (46,00) | ? | UKJ AON W-WA | | | | 0 | 0 | 3 |

Matches A

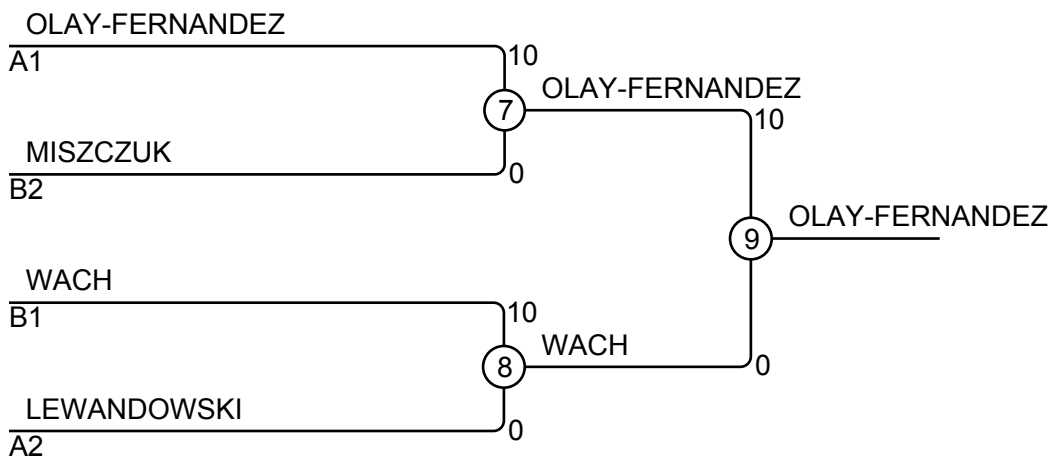
| Match | White | Blue | Result | Time |
|-------|-------------------------|---------------------|--------|------|
| 1 | GABRIEL LEWANDOWSKI 1 2 | ADAM OLAY-FERNANDEZ | 0 - 1 | 3:00 |
| 3 | GABRIEL LEWANDOWSKI 1 3 | FILIP KOSNOWICZ | 10 - 0 | 0:00 |
| 5 | ADAM OLAY-FERNANDEZ 2 3 | FILIP KOSNOWICZ | 10 - 0 | 0:00 |

Competitors B

| # | Name | Grade | Club | 4 | 5 | 6 | Wins | Pts | Pos |
|---|--------------------------|-------|--------------|----|----|---|------|-----|-----|
| 4 | FILIP KOSNOWICZ (46,00) | ? | UKJ AON W-WA | | | | 0 | 0 | 3 |
| 5 | MIKOŁAJ MISZCZUK (45,50) | ? | AZS AWF W-WA | 10 | | | 1 | 10 | 2 |
| 6 | ROBERT WACH (45,50) | ? | LTS CSP | 10 | 10 | | 2 | 20 | 1 |

Matches B

| Match | White | Blue | Result | Time |
|-------|----------------------|------------------|--------|------|
| 2 | FILIP KOSNOWICZ 4 5 | MIKOŁAJ MISZCZUK | 0 - 10 | 0:00 |
| 4 | FILIP KOSNOWICZ 4 6 | ROBERT WACH | 0 - 10 | 0:00 |
| 6 | MIKOŁAJ MISZCZUK 5 6 | ROBERT WACH | 0 - 10 | 0:33 |



Results

| Pos | Name |
|-----|-----------------------------------|
| 1 | ADAM OLAY-FERNANDEZ, PCS |
| 2 | ROBERT WACH, LTS CSP |
| 3 | MIKOŁAJ MISZCZUK, AZS AWF W-WA |
| 3 | GABRIEL LEWANDOWSKI, YUKO JÓZEFÓW |

XX Turniej Judo 11.11.2015 AON Warszawa MU16-50

Competitors: 4

Competitors

| # | Name | Grade | Club | 1 | 2 | 3 | 4 | Wins | Pts | Pos |
|---|--------------------------|-------|--------------|---|----|----|----|------|-----|-----|
| 1 | MICHAŁ WYSOCKI (47,50) | ? | UKJ AON W-WA | | | 10 | | 1 | 10 | 3 |
| 2 | PIOTR ZABOROWSKI (47,25) | ? | UKJ AON W-WA | 5 | | | 10 | 2 | 15 | 1 |
| 3 | MARCIN KOWALSKI (48,30) | ? | LEMUR | | 10 | | 1 | 2 | 11 | 2 |
| 4 | GABRIEL SKIPIAŁA (47,50) | ? | LEMUR | 1 | | | | 1 | 1 | 4 |

Matches

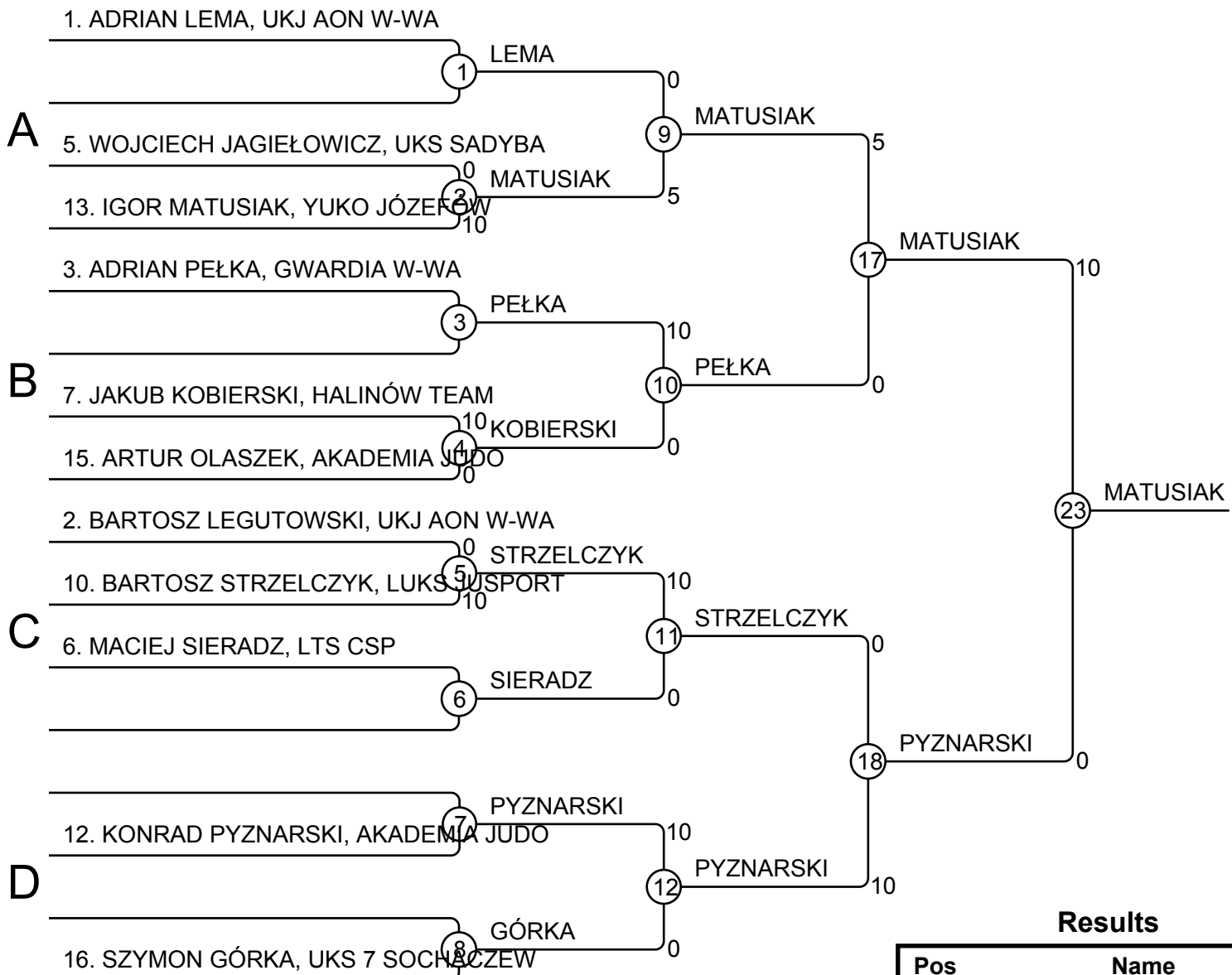
| Match | White | | | Blue | Result | Time |
|-------|------------------|---|---|------------------|--------|------|
| 1 | MICHAŁ WYSOCKI | 1 | 2 | PIOTR ZABOROWSKI | 0 - 5 | 3:00 |
| 2 | MARCIN KOWALSKI | 3 | 4 | GABRIEL SKIPIAŁA | 1 - 0 | 4:05 |
| 3 | MICHAŁ WYSOCKI | 1 | 3 | MARCIN KOWALSKI | 10 - 0 | 2:17 |
| 4 | PIOTR ZABOROWSKI | 2 | 4 | GABRIEL SKIPIAŁA | 10 - 0 | 0:40 |
| 5 | MICHAŁ WYSOCKI | 1 | 4 | GABRIEL SKIPIAŁA | 0 - 1 | 3:00 |
| 6 | PIOTR ZABOROWSKI | 2 | 3 | MARCIN KOWALSKI | 0 - 10 | 2:50 |

Results

| Pos | Name |
|-----|--------------------------------|
| 1 | PIOTR ZABOROWSKI, UKJ AON W-WA |
| 2 | MARCIN KOWALSKI, LEMUR |
| 3 | MICHAŁ WYSOCKI, UKJ AON W-WA |
| 4 | GABRIEL SKIPIAŁA, LEMUR |

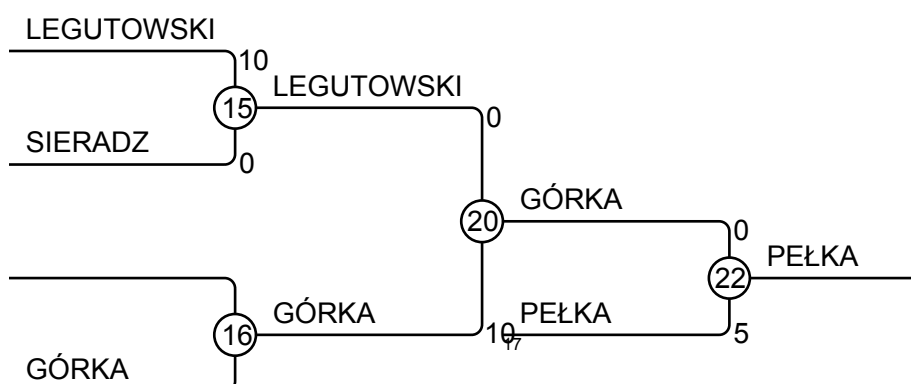
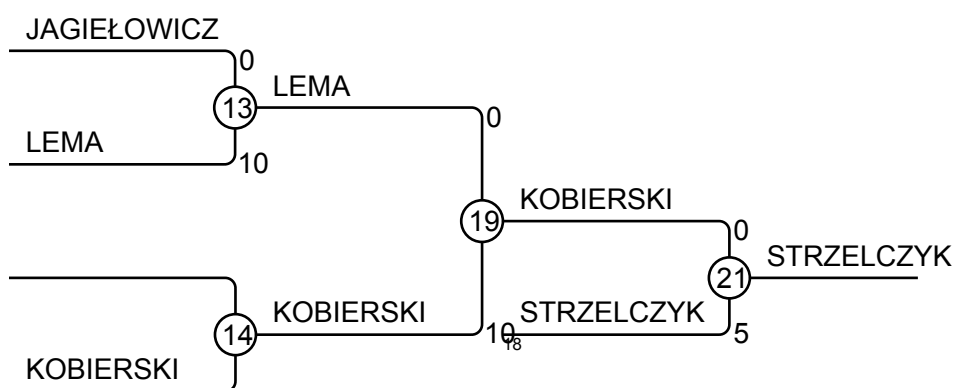
XX Turniej Judo 11.11.2015 AON Warszawa MU16-55

Competitors: 11



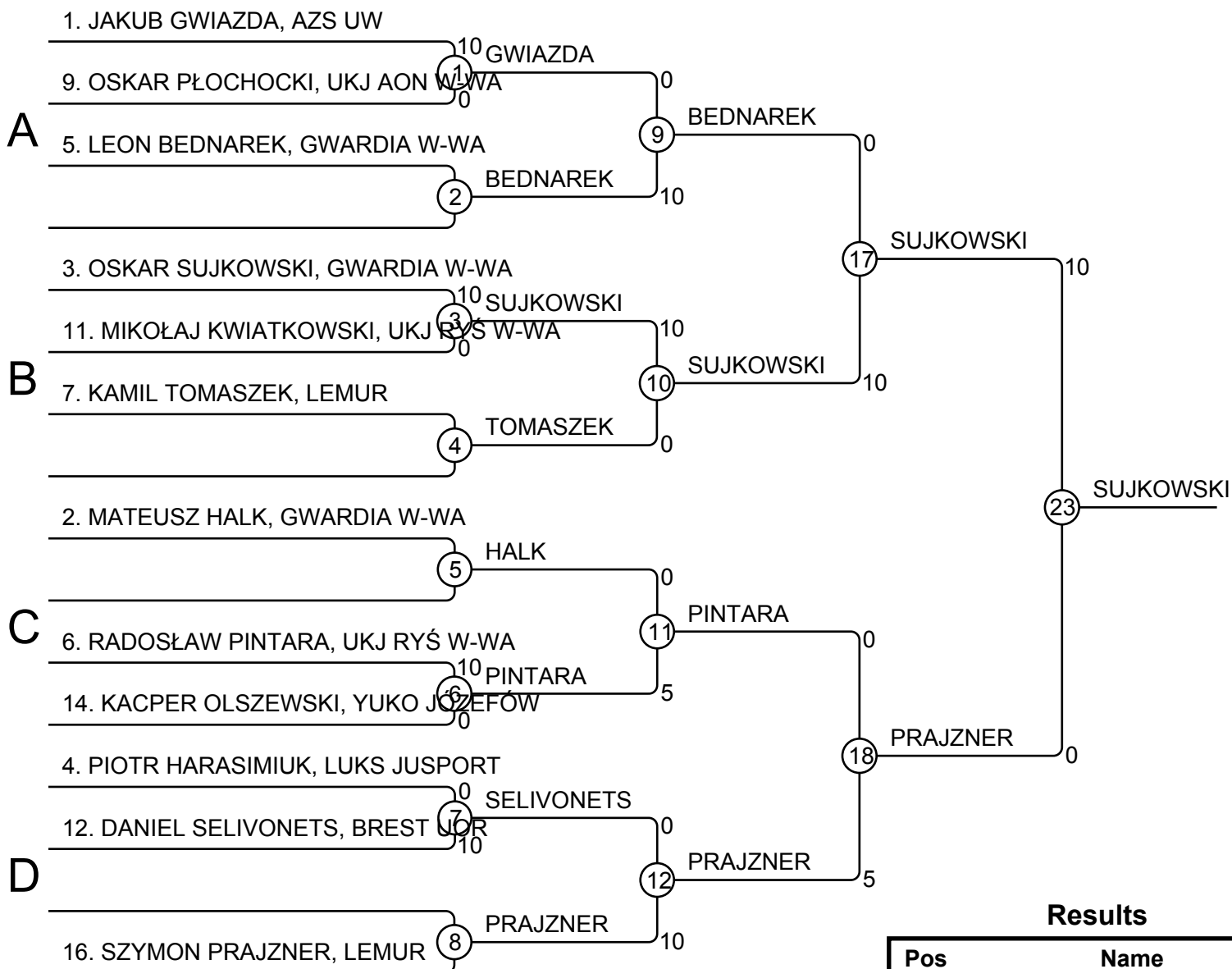
Results

| Pos | Name |
|-----|------------------------------|
| 1 | IGOR MATUSIAK, YUKO JÓZEFÓW |
| 2 | KONRAD PYZNARSKI, AKADEMIA J |
| 3 | BARTOSZ STRZELCZYK, LUKS JUS |
| 3 | ADRIAN PEŁKA, GWARDIA W-WA |
| 5 | JAKUB KOBIERSKI, HALINÓW TEA |
| 5 | SZYMON GÓRKA, UKS 7 SOCHACZ |
| 7 | ADRIAN LEMA, UKJ AON W-WA |
| 7 | BARTOSZ LEGUTOWSKI, UKJ AON |



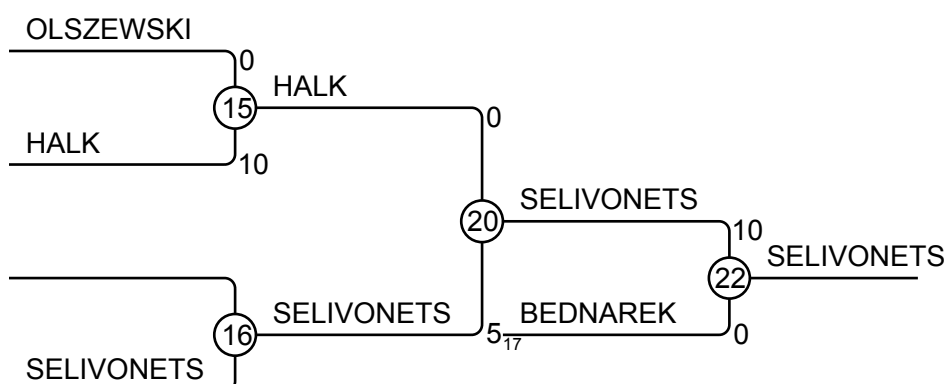
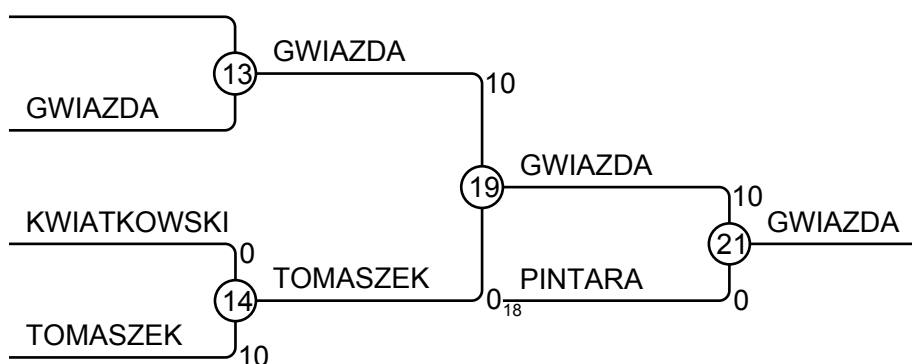
XX Turniej Judo 11.11.2015 AON Warszawa MU16-60

Competitors: 12



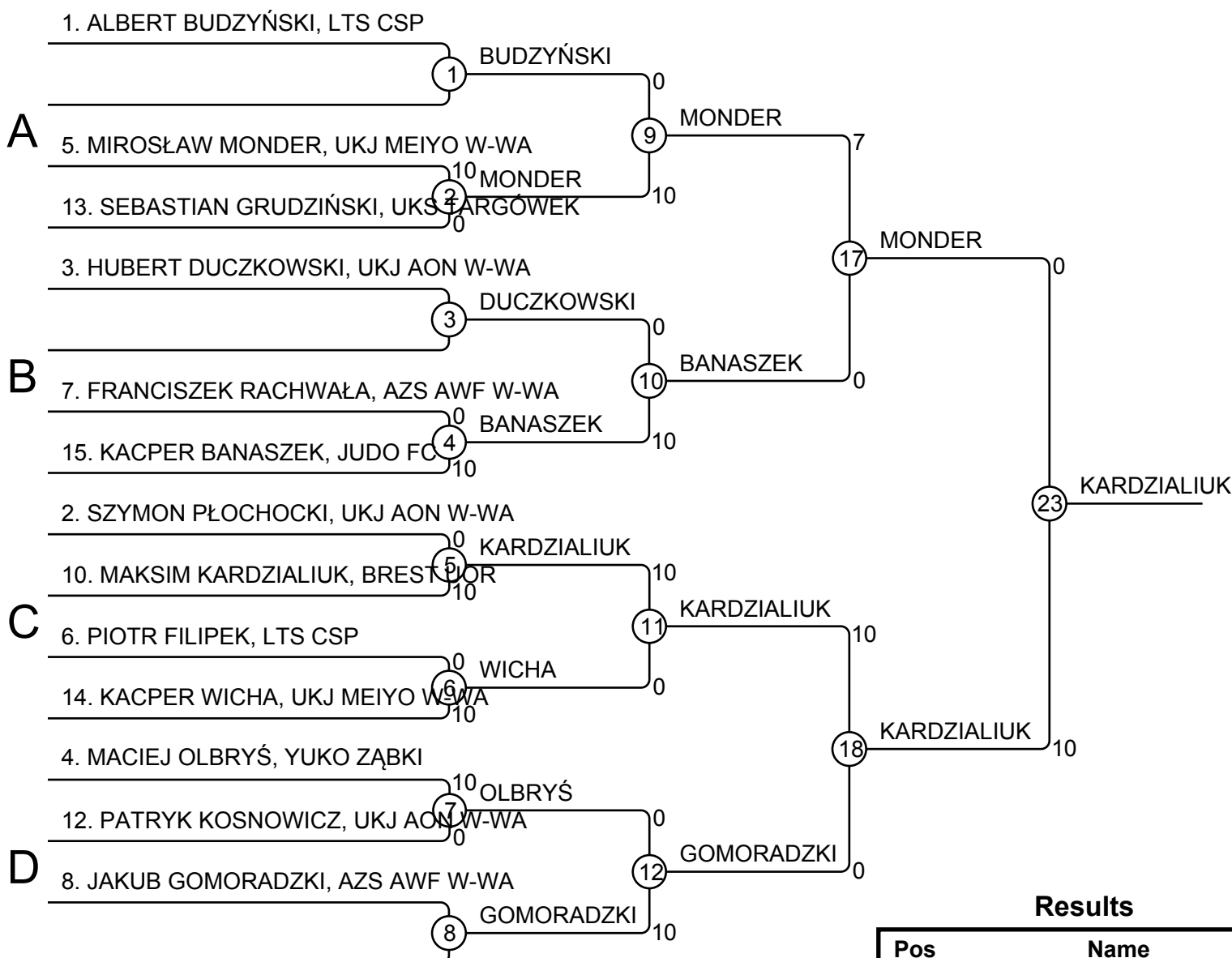
Results

| Pos | Name |
|-----|--------------------------------|
| 1 | OSKAR SUJKOWSKI, GWARDIA W-WA |
| 2 | SZYMON PRAJZNER, LEMUR |
| 3 | JAKUB GWIAZDA, AZS UW |
| 3 | DANIEL SELIVONETS, BREST UDOR |
| 5 | RADOSŁAW PINTARA, UKJ RYŚ W-WA |
| 5 | LEON BEDNAREK, GWARDIA W-WA |
| 7 | KAMIL TOMASZEK, LEMUR |
| 7 | MATEUSZ HALK, GWARDIA W-WA |



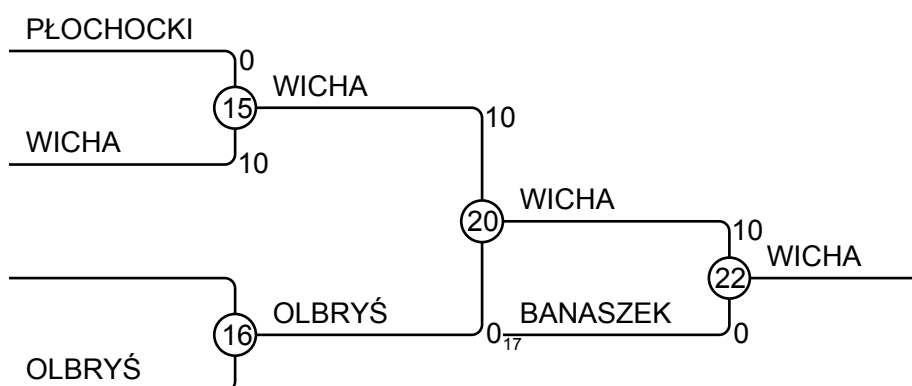
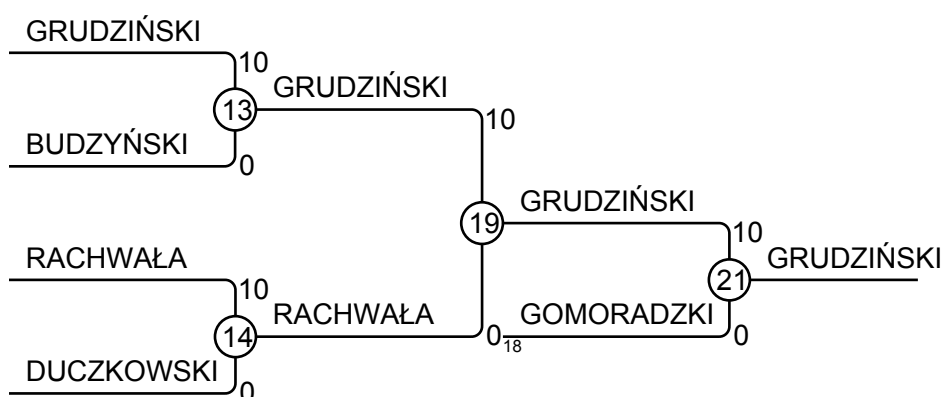
XX Turniej Judo 11.11.2015 AON Warszawa MU16-66

Competitors: 13



Results

| Pos | Name |
|-----|------------------------------------|
| 1 | MAKSYM KARDZIALIUK, BREST UDOR |
| 2 | MIROSŁAW MONDER, UKJ MEIYO W-WA |
| 3 | SEBASTIAN GRUDZIŃSKI, UKS TARGOWEK |
| 3 | KACPER WICHA, UKJ MEIYO W-WA |
| 5 | JAKUB GOMORADZKI, AZS AWF W-WA |
| 5 | KACPER BANASZEK, JUDO FC |
| 7 | FRANCISZEK RACHWAŁA, AZS AWF W-WA |
| 7 | MACIEJ OLBRYŚ, YUKO ZĄBKI |



XX Turniej Judo 11.11.2015 AON Warszawa MU16-73

Competitors: 5

Competitors

| # | Name | Grade | Club | 1 | 2 | 3 | 4 | 5 | Wins | Pts | Pos |
|---|------------------------------|-------|-----------------|----|----|---|----|----|------|-----|-----|
| 1 | KONRAD PIOTROWSKI (68,80) | ? | UKJ AON W-WA | | 10 | | 7 | 10 | 3 | 27 | 2 |
| 2 | WOJCIECH GUDZOWSKI (71,80) | | JUDO LEGIA W-WA | | | | | | 0 | 0 | 5 |
| 3 | STANISŁAW DOLEZIŃSKI (72,00) | | LEMUR | 10 | 10 | | 10 | 10 | 4 | 40 | 1 |
| 4 | MIŁOSZ WÓJCIAK (72,10) | ? | UKS SADYBA | | 10 | | | | 1 | 10 | 4 |
| 5 | PATRYK PSZONKA (71,50) | ? | JUDO KONTRA | | 10 | | 10 | | 2 | 20 | 3 |

Matches

| Match | White | | | Blue | Result | Time |
|-------|----------------------|---|---|----------------------|--------|------|
| 1 | MIŁOSZ WÓJCIAK | 4 | 5 | PATRYK PSZONKA | 0 - 10 | 0:21 |
| 2 | KONRAD PIOTROWSKI | 1 | 2 | WOJCIECH GUDZOWSKI | 10 - 0 | 0:17 |
| 3 | STANISŁAW DOLEZIŃSKI | 3 | 4 | MIŁOSZ WÓJCIAK | 10 - 0 | 0:28 |
| 4 | KONRAD PIOTROWSKI | 1 | 5 | PATRYK PSZONKA | 10 - 0 | 0:45 |
| 5 | WOJCIECH GUDZOWSKI | 2 | 3 | STANISŁAW DOLEZIŃSKI | 0 - 10 | 0:20 |
| 6 | KONRAD PIOTROWSKI | 1 | 4 | MIŁOSZ WÓJCIAK | 7 - 0 | 3:00 |
| 7 | STANISŁAW DOLEZIŃSKI | 3 | 5 | PATRYK PSZONKA | 10 - 0 | 1:04 |
| 8 | WOJCIECH GUDZOWSKI | 2 | 4 | MIŁOSZ WÓJCIAK | 0 - 10 | 0:56 |
| 9 | KONRAD PIOTROWSKI | 1 | 3 | STANISŁAW DOLEZIŃSKI | 0 - 10 | 1:30 |
| 10 | WOJCIECH GUDZOWSKI | 2 | 5 | PATRYK PSZONKA | 0 - 10 | 0:37 |

Results

| Pos | Name |
|-----|-------------------------------------|
| 1 | STANISŁAW DOLEZIŃSKI, LEMUR |
| 2 | KONRAD PIOTROWSKI, UKJ AON W-WA |
| 3 | PATRYK PSZONKA, JUDO KONTRA |
| 4 | MIŁOSZ WÓJCIAK, UKS SADYBA |
| 5 | WOJCIECH GUDZOWSKI, JUDO LEGIA W-WA |

XX Turniej Judo 11.11.2015 AON Warszawa MU16-81

Competitors: 4

Competitors

| # | Name | Grade | Club | 1 | 2 | 3 | 4 | Wins | Pts | Pos |
|---|-----------------------------|-------|--------------|----|----|----|---|------|-----|-----|
| 1 | VLADZISLAU FILIPIUK (78,30) | ? | BREST UOR | | | 10 | | 1 | 10 | 3 |
| 2 | YAHOR SEMIANIUK (77,10) | ? | BREST UOR | 7 | | 10 | | 2 | 17 | 2 |
| 3 | JAN GOZDEK (80,90) | ? | UKS TARGÓWEK | | | | | 0 | 0 | 4 |
| 4 | ALBERT SOWA (80,75) | ? | UKJ AON W-WA | 10 | 10 | 10 | | 3 | 30 | 1 |

Matches

| Match | White | | | Blue | Result | Time |
|-------|---------------------|---|---|-----------------|--------|------|
| 1 | VLADZISLAU FILIPIUK | 1 | 2 | YAHOR SEMIANIUK | 0 - 7 | 3:00 |
| 2 | JAN GOZDEK | 3 | 4 | ALBERT SOWA | 0 - 10 | 0:25 |
| 3 | VLADZISLAU FILIPIUK | 1 | 3 | JAN GOZDEK | 10 - 0 | 1:03 |
| 4 | YAHOR SEMIANIUK | 2 | 4 | ALBERT SOWA | 0 - 10 | 2:21 |
| 5 | VLADZISLAU FILIPIUK | 1 | 4 | ALBERT SOWA | 0 - 10 | 1:48 |
| 6 | YAHOR SEMIANIUK | 2 | 3 | JAN GOZDEK | 10 - 0 | 0:39 |

Results

| Pos | Name |
|-----|--------------------------------|
| 1 | ALBERT SOWA, UKJ AON W-WA |
| 2 | YAHOR SEMIANIUK, BREST UOR |
| 3 | VLADZISLAU FILIPIUK, BREST UOR |
| 4 | JAN GOZDEK, UKS TARGÓWEK |

XX Turniej Judo 11.11.2015 AON Warszawa MU16+81

Competitors: 3

Competitors

| # | Name | Grade | Club | 1 | 2 | 3 | Wins | Pts | Pos |
|---|---------------------------|-------|---------------|----|----|---|------|-----|-----|
| 1 | SZYMON POLAK (94,00) | ? | YUKO ZĄBKI | | 10 | | 1 | 10 | 2 |
| 2 | MATEUSZ SZYMAŃSKI (83,90) | ? | AKADEMIA JUDO | | | | 0 | 0 | 3 |
| 3 | ALEH RUDYSHYN (123,00) | ? | BREST UOR | 10 | 10 | | 2 | 20 | 1 |

Matches

| Match | White | | | Blue | Result | Time |
|-------|-------------------|---|---|-------------------|--------|------|
| 1 | SZYMON POLAK | 1 | 2 | MATEUSZ SZYMAŃSKI | 10 - 0 | 1:46 |
| 2 | SZYMON POLAK | 1 | 3 | ALEH RUDYSHYN | 0 - 10 | 1:40 |
| 3 | MATEUSZ SZYMAŃSKI | 2 | 3 | ALEH RUDYSHYN | 0 - 10 | 0:11 |

Results

| Pos | Name |
|-----|----------------------------------|
| 1 | ALEH RUDYSHYN, BREST UOR |
| 2 | SZYMON POLAK, YUKO ZĄBKI |
| 3 | MATEUSZ SZYMAŃSKI, AKADEMIA JUDO |